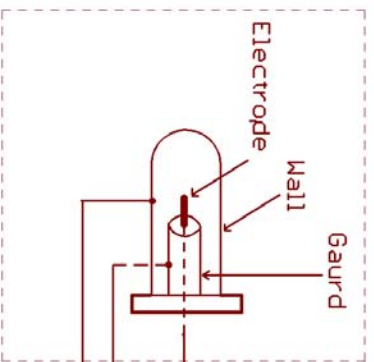
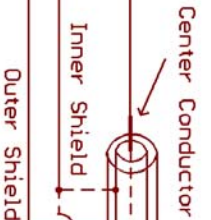


Ionizing Chamber Input Adapter for Pico-Amp to Volt Converter Module (Ctv10pf)

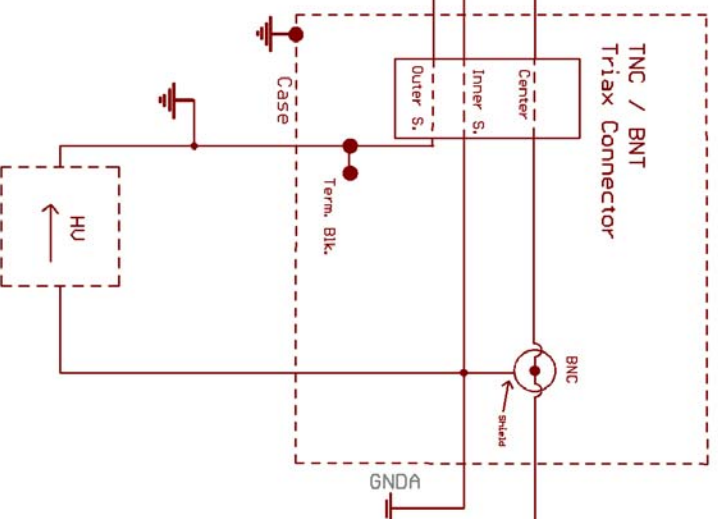
Ionizing Chamber



Triaxial Cable

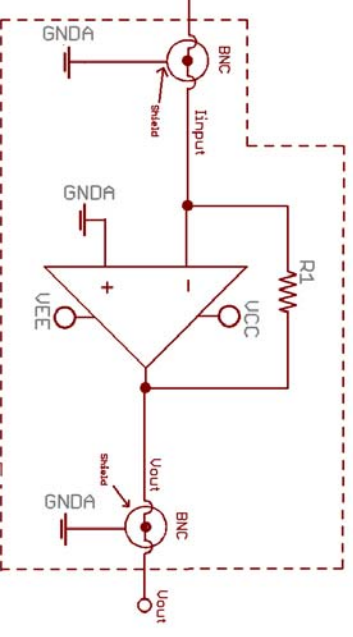


Ion Chamber Adapter

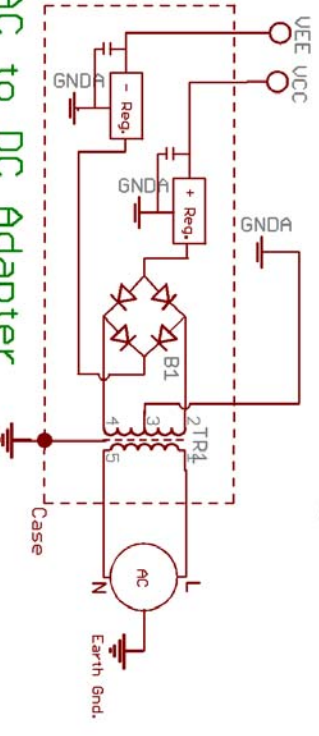


High Voltage P.S.

RDM-Apps Model Ctv10pf
Pico-Amp to Volt Conv. Module



AC to DC Adapter



**This Document is Provided for
Reference Purposes Only!**

Although customers use our modules as shown in this document, the concepts and/or representations in this document do not reflect the opinions and/or recommendations of the RDM-Apps staff or owner.

RDM-Apps www.rdm-apps.com

TITLE:

Document Number: 056903-C2

REV:
C2

Date: 24/07/2008 01:17:09a

Sheet: 1/1