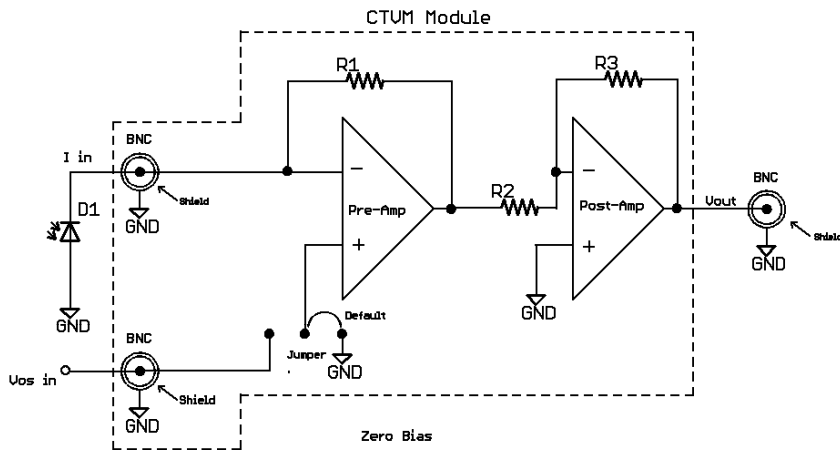


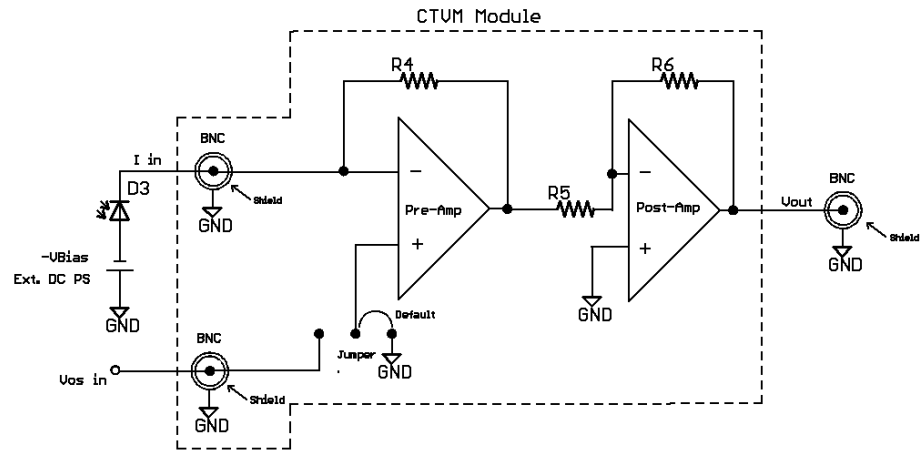
Ctvm PhotoDiode Modes of Operation

Ctvm Low Current Input Stage
PhotoVoltaic Mode



Zero Bias
No "Dark" Current
Linear
Low Noise < Johnson >
Precision Applications

Ctvm Low Current Input Stage
PhotoConductive Mode



Reverse Bias
Has "Dark" Current
NonLinear
Higher Noise
High Speed Apps.

< CTUM-S series includes Vos input. >

RDM-Apps

Design: B. Martin

TITLE: CTUM-Opto-App-Notes-Rev-C41

Document Number: D56899-C4

REV:
C41

Date: 23/07/2009 12:15:09p

Sheet: 1/1