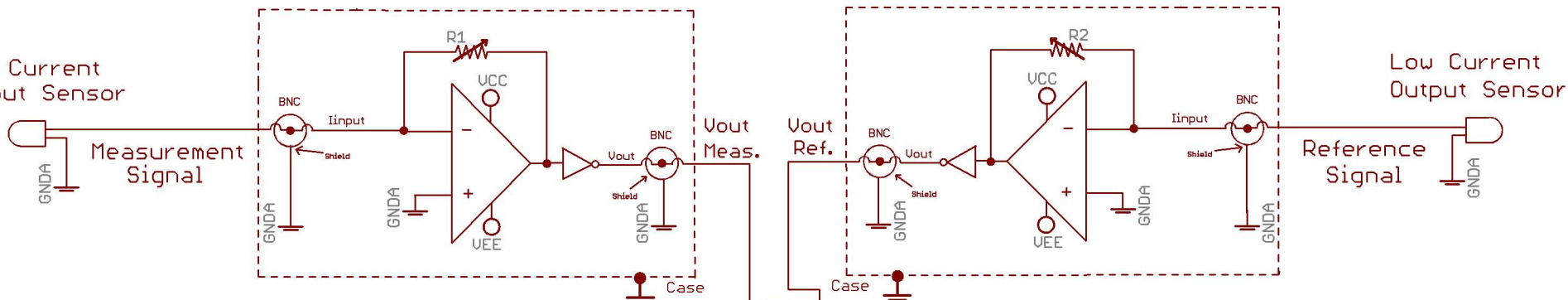


Low Current Ratiometric Measurements

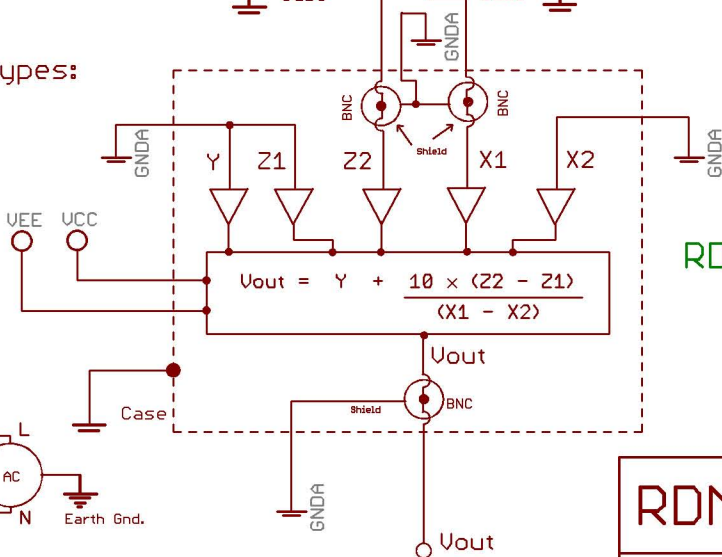
RDM-Apps Model Ctvm10pf
Pico-Amp to Volt Conv. Module

Low Current Output Sensor

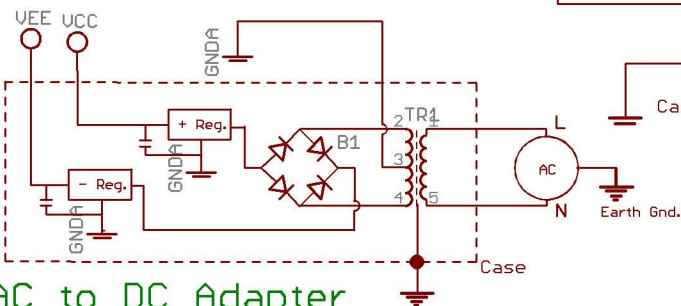
Measurement Signal



Typical Low Output Current Sensor Types:
Radiation Dose, Light, Pressure



RDM-Apps Divider Module
(AD534-ADV-1)



AC to DC Adapter

$$V_{out} = 10 \times Z2 / X1$$

$$(V_{out} = 10 \times U_{meas.} / U_{ref.})$$

RDM-Apps www.rdm-apps.com

TITLE: Ctvm-ADV534-Ratio-Measurements-v2

Document Number: D569037

Design: B. Martin

REV:
A2

Date: 30/05/2011 02:28:52a

Sheet: 1/1